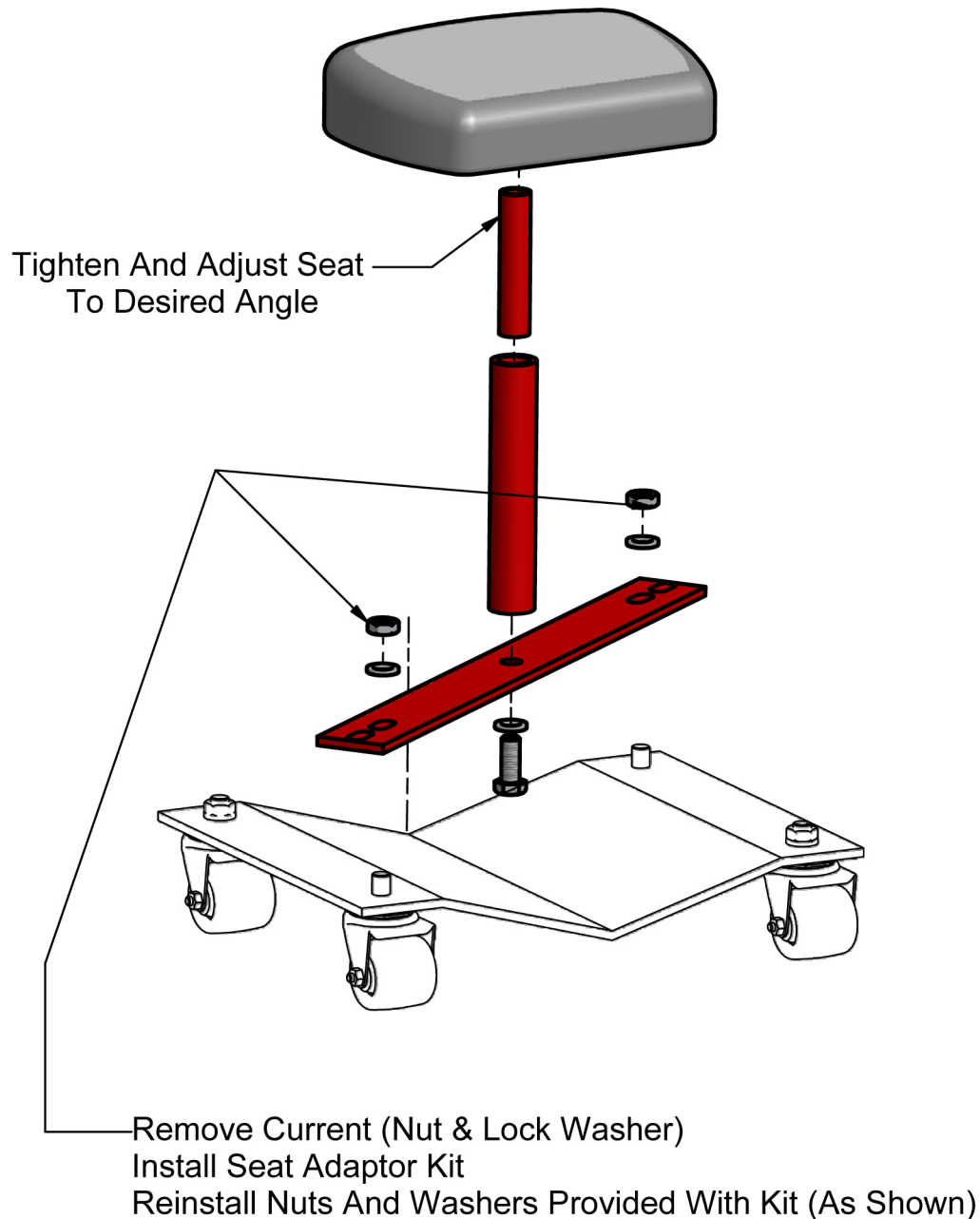


Service Seat Assembly Instructions



DO NOT OVER-TIGHTEN BOLTS! DOING SO WILL RESTRICT CASTER MOVEMENT!



STOP

1. TAKE CAUTION ROLLING ON ROUGH SURFACES AND EXPANSION JOINTS. TIPPING MAY OCCUR!
2. IF FOR ANY REASON PARTS ARE MISSING DUE TO SHIPPING PLEASE CALL:
1-800-568-7423 EXT 188