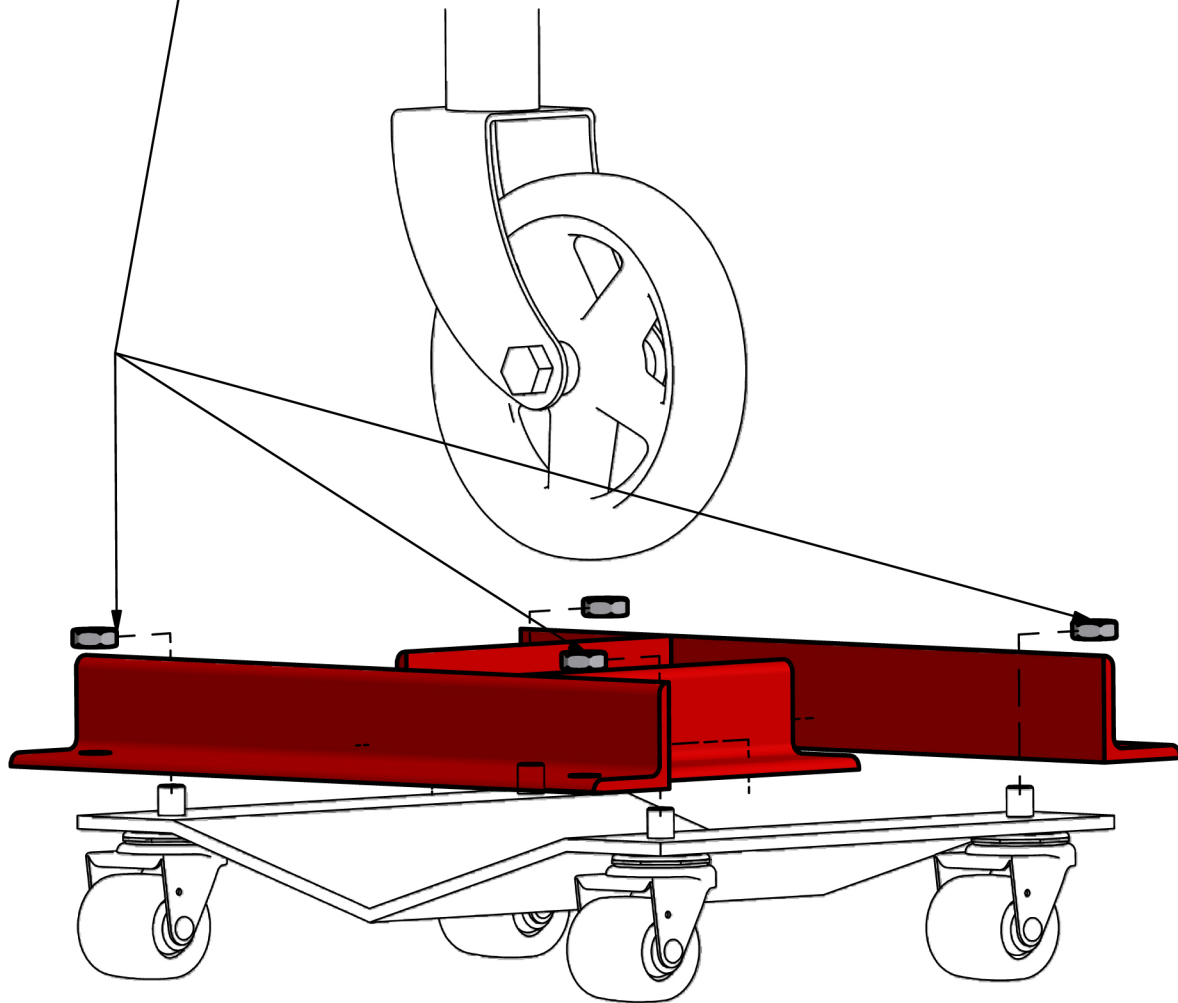


Trailer Jack Attachment Assembly

Remove Current (Nut & Lock Washer)
Install Trailer Wheel Support Kit
Reinstall Nuts only (As Shown)



DO NOT OVER-TIGHTEN BOLTS! DOING SO WILL RESTRICT CASTER MOVEMENT!



STOP

1. TAKE CAUTION ROLLING ON ROUGH SURFACES AND EXPANSION JOINTS. TIPPING MAY OCCUR! LOCK AXLES WHENEVER POSSIBLE
2. IF FOR ANY REASON PARTS ARE MISSING DUE TO SHIPPING PLEASE CALL:
1-800-568-7423 EXT 188