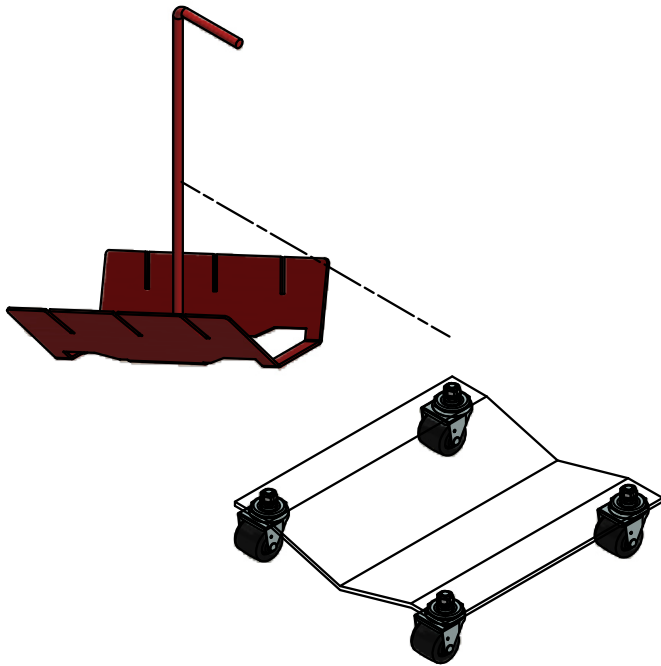


Auto Dolly

Rolling Rack

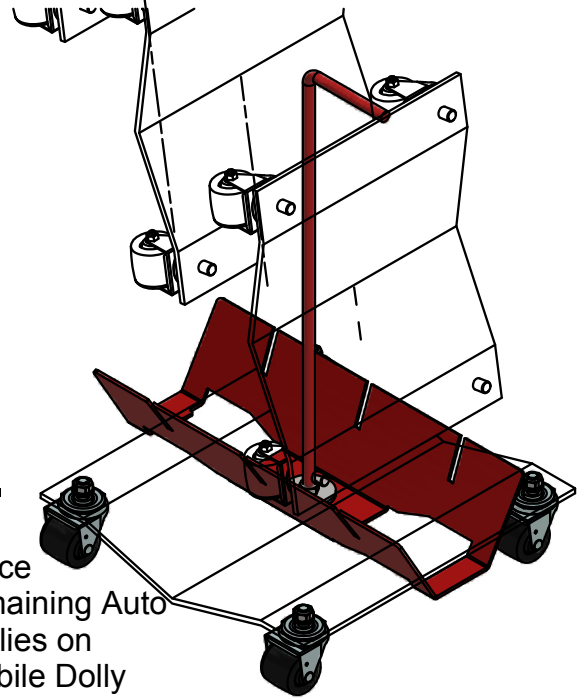
1.

Place Mobile Dolly Carrier onto one of the Auto Dollies. This will provide mobility.



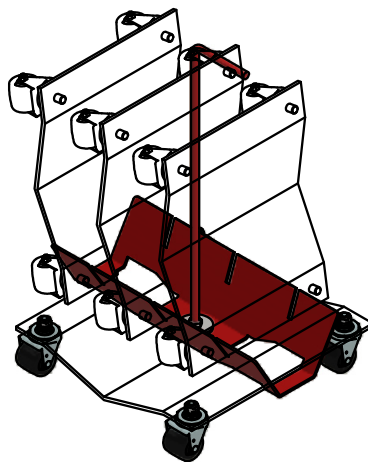
2.

Place remaining Auto Dollies on Mobile Dolly Carrier making sure the "Vee" nestles against the pins.



3.

Auto Dollies are now ready to be stowed. Reverse procedure to use Auto Dollies.



STOP

**1. TAKE CAUTION ROLLING ON ROUGH SURFACES AND EXPANSION JOINTS.
TIPPING
MAY OCCUR!**

**2. IF FOR ANY REASON PARTS ARE MISSING DUE TO SHIPPING PLEASE CALL:
1-800-568-7423 EXT 188**